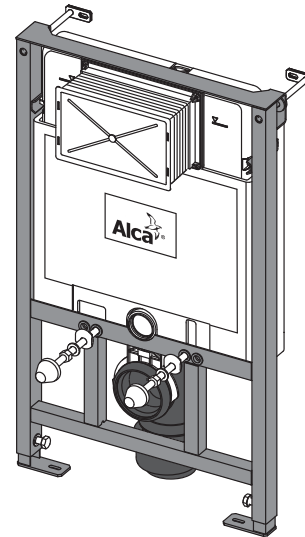


A101/850 Sádromodul

PRE-WALL INSTALLATION SYSTEM FOR DRY BUILD UP
(PLASTERBOARD)



Application:

- For wall-hung WC
- For mounting in front of a support wall or in to a plasterboard construction
- For floor thickness 0 – 200 mm
- For installation of wall hung toilet with a connecting pitch of 180 mm or 230 mm

Features:

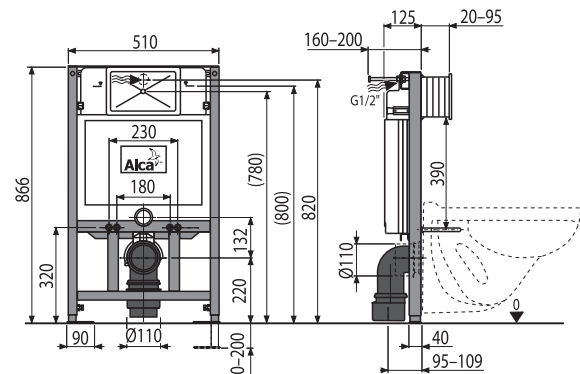
- The frame allows the anchoring to a separate sufficiently strong plasterboard partition, in front of the bearing wall
- The installed system is sealed with a plasterboard panel and there is no need for any additional fixing or anchor elements
- The construction of polystyrene insulation prevents condensation forming on the surface of the tank and dampens the vibrations from the tank into the building structure
- Prepared for connecting a bracket with a DG 1/2" conversion for bidet seats and sprays
- Dual flush independently adjustable with hygienic reserve
- Suitable for installation of delayed or sensor flushing
- They are also compatible with all ALCA flush plates
- The reservoir is made of one piece, thus ensuring 100% impermeability
- Water supply from the rear/top
- Maintenance work without using any tools
- Service opening cover simplifies assembly and prevents the penetration of moisture and dirt
- Mounting depth adjustable from 20 – 95 mm
- Mounting depth 125 mm, with waste elbow 160 mm
- Adjustable telescopic feet in range 0 – 200 mm
- Frame material: powder-coated metal

Standards:

ČSN EN 14124, ČSN EN 14055

Technical parameters:

Water connection from the back or top via mounting holes	G1/2"
The functional range of water pressure	0.05 to 0.8 MPa
Recommended range of water pressure	0.3 – 0.5 MPa
Big flush	6 – 9 l
Small flush	2.5 l
The default setting of large flush	6 l
The default setting of small flush	3 l
Hygienic reserve	3 l
Volume of water in the tank	9 l
Load test	400 kg



Scope of supply:

- Tank with fill and flush valve
- Self-supporting frame
- Fittings 1/2" for water connection with the integrated corner valve Schell 1/2"-3/8"
- Flushing mechanism screw 2 pcs
- Fixation set: screw Ø8x60 – 4 pcs, anchor Ø12 – 4 pcs
- Fixation material for fixing the toilet bowl: Threaded rod M12 – 2 pcs, pads – 4 pcs, cover – 2 pcs, nut – 2 pcs, thread protector – 2 pcs
- Waste elbow HT90/100 polypropylene
- Inlet seal, polypropylene outlet, wrapping seal
- Drainage seal, polypropylene connector, connector seal
- Set of end-caps for protecting the connecting holes during installation of the system
- Service opening cover is simply adjustable, screws 4 pcs

Logistic information:

Weight (piece)	12.86 kg
Dimensions (piece)	1195x145x530 mm
Quantity (packing)	1 pc
Quantity (pallet)	15 pcs

Order number:

Code	EAN
A101/850	8594045934311